

SANDY CAY GOLD COAST 49WP GUEST SHUTTLE

DESIGN BRIEF

The GC49WP design was created by request of the five star resort Little Dix Bay in Virgin Gorda, BVI. The resort had earlier purchased a GC45WP and found they were using it far more than originally imagined. Realizing its value for access to the resort and surrounding areas they decided to purchase two inboard powered vessels for use as guest shuttles and for day trips. Hence the *Savannah Bay* now has a sister, *Sandy Cay*.



SPECIFICATIONS

Length	49'
Beam	16'
Displacement	17,500 lbs
Passengers	30
Propulsion	2 x 230 hp
Cruise Speed	24 knots
Full Speed	30 knots

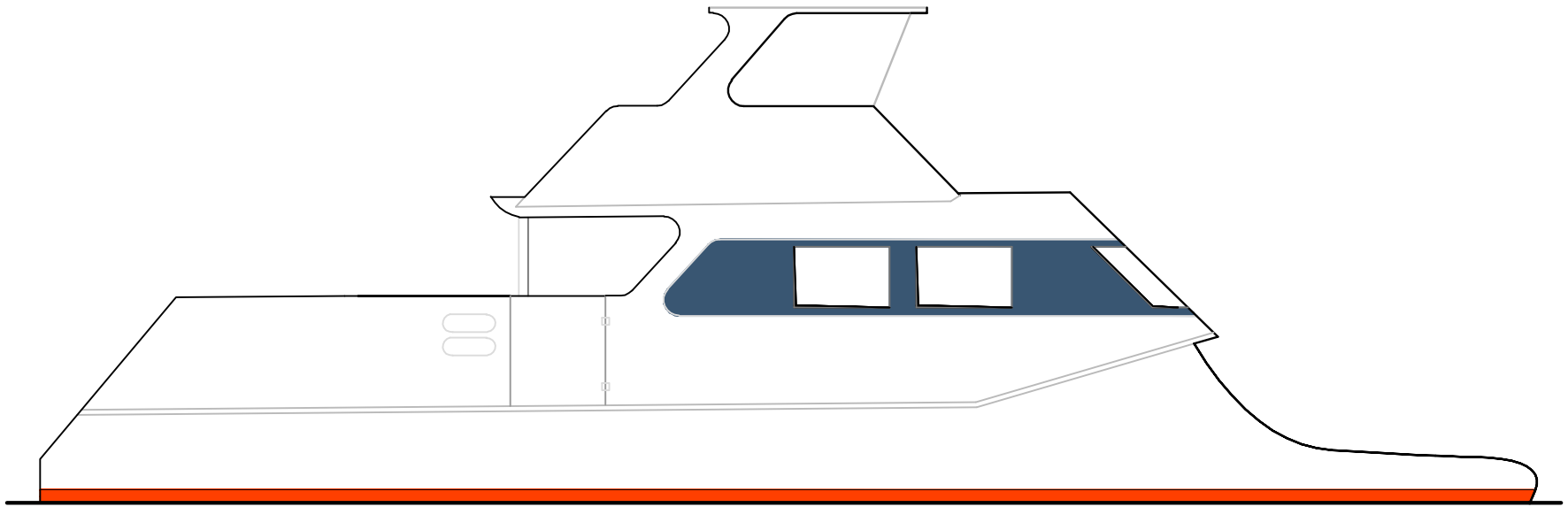
MORE PICTURES AND DRAWINGS BELOW.

GOLD COAST YACHTS®

ST CROIX, U.S. VIRGIN ISLANDS

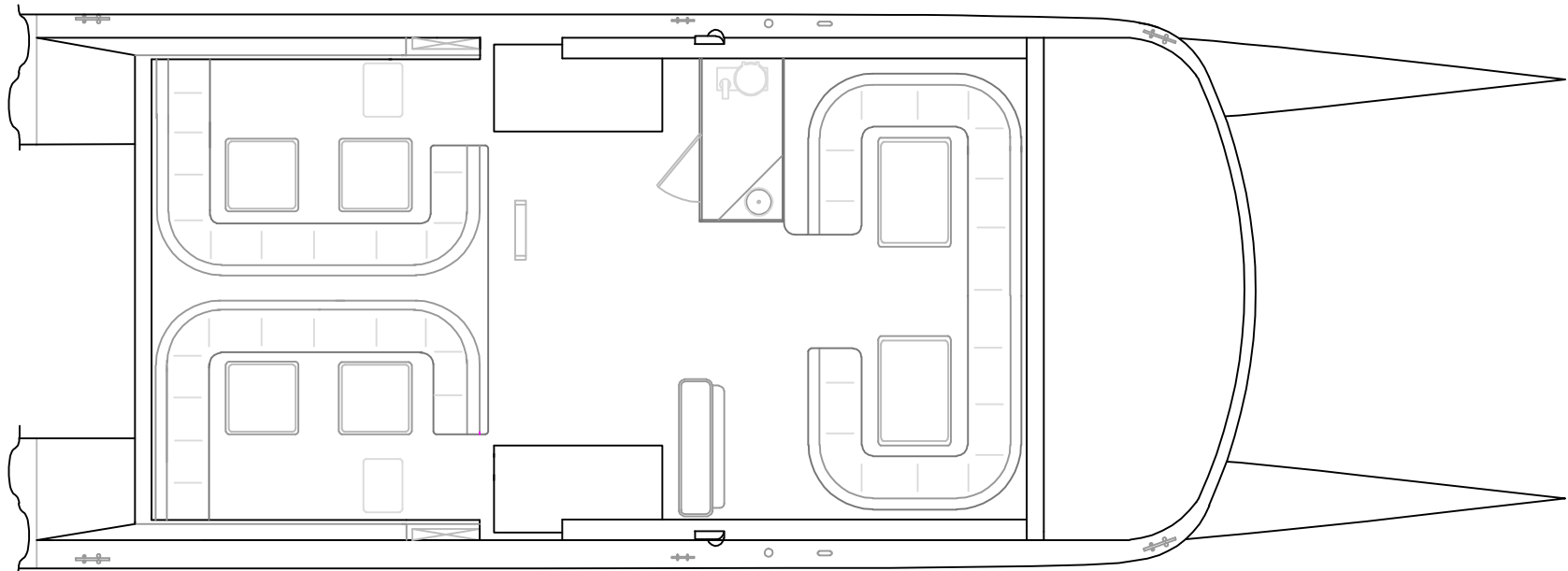
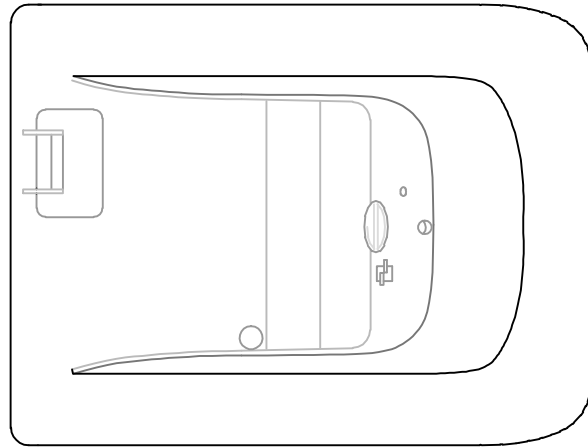


Scale: 3/16"=1'



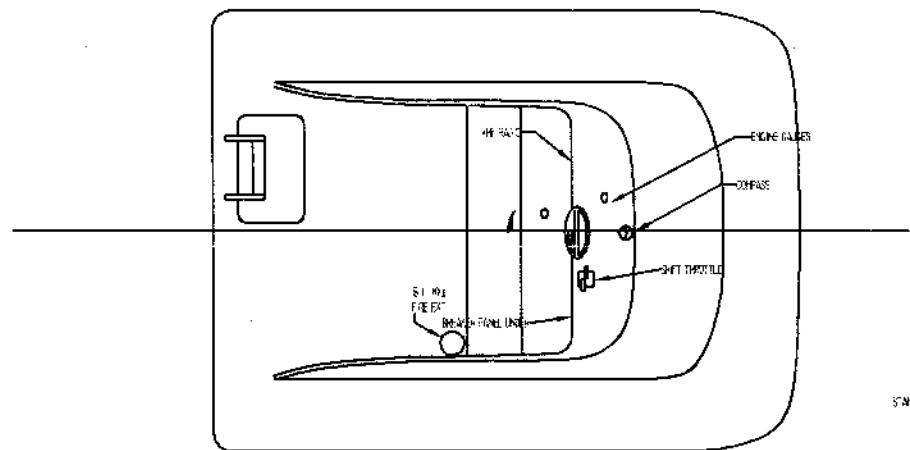
47 WP
GOLD COAST YACHTS

Scale: 3/16"=1'



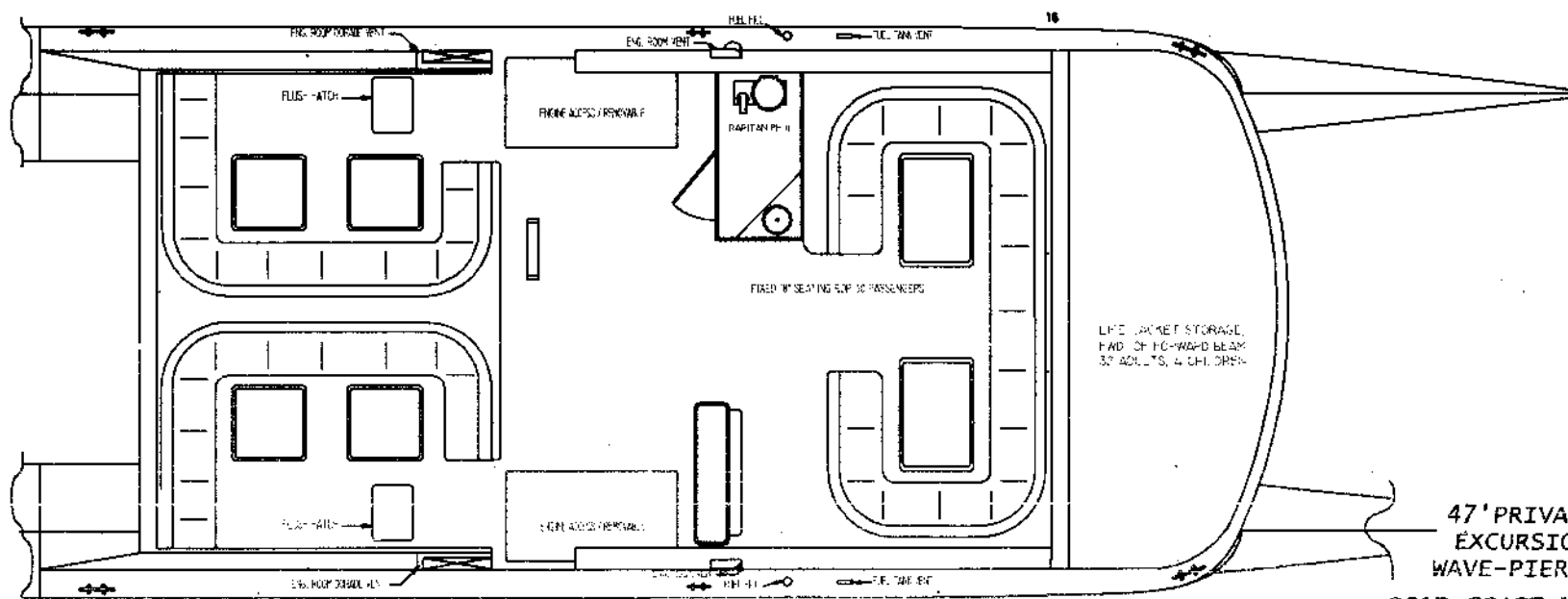
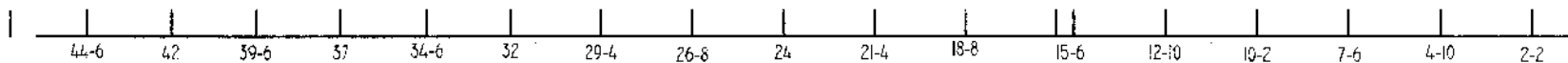
47 WP
GOLD COAST YACHTS

SANDY CAY



5" WIDE

HEIGHT



**47' PRIVATE
EXCURSION
WAVE-PIERCER**

GOLD COAST YACHTS

PO Box 1980 Kingshill
ST CROIX, USVI 00851
PHONE: 340 778-1004
FAX: 340 778-2950

EMAIL: GOLDCOASTYACHTS@ATT.NET